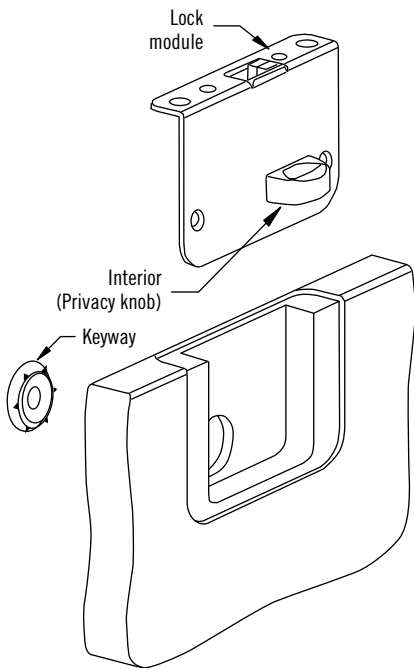


CABIN & COCKPIT ENTRY HARDWARE

MG L-Star Entry Door Lock

A



Part number

MG-03-630-24

Gain more stylish and more secure locking performance for specialised door applications in sail or motor boat and yacht construction. The Mobella L-Star is ideal for washboard entry ways – even those angled up to 7° beyond perpendicular – as well as for bi-fold doors and other cabin or entry doors. The security of the Star-Lock mechanism adds peace of mind, while all-marine-grade construction ensures robust performance.

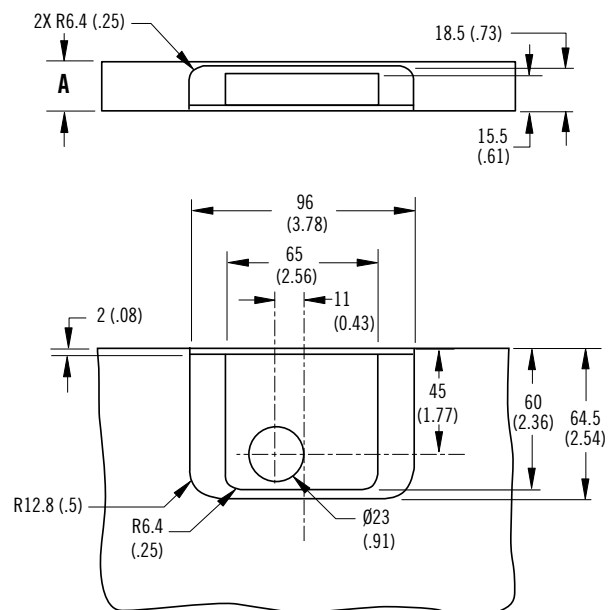
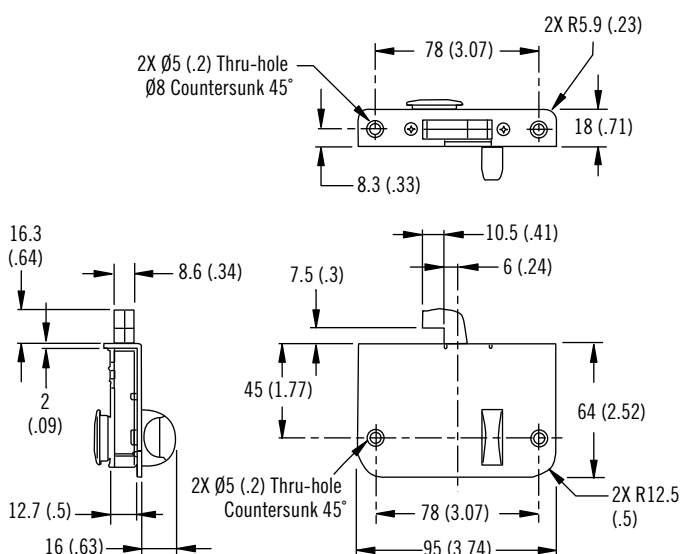
- Enhance high-end security with the hard-to-compromise Star-Lock three-axis six-pin tumbler design
- Locks can be matched to other Southco deck latches
Contact Southco Marine for more information
- Simplify installation with slip-in mounting on the back edge of the door
- Satisfy customer preferences with a variety of decor options
- including diamond brass, polished chrome and satin finishes
- Accommodate door thicknesses from 19 mm to 45 mm without a recess, and engage with overhead hatches of 10 mm or thicker

Panel Preparation

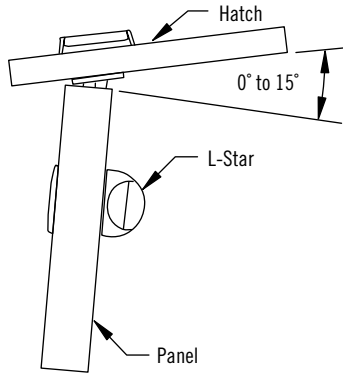
Minimum panel thickness A 20 mm (0.71), Maximum panel thickness 44 mm (1.75).

No mounting hardware included.

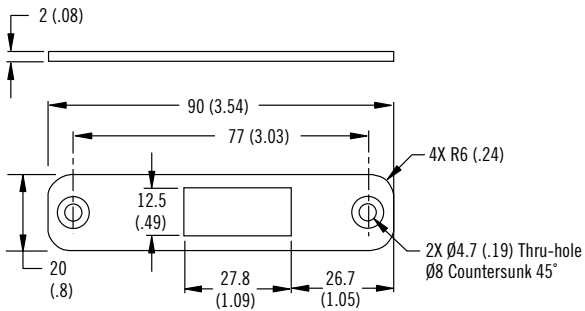
Flush mount panel preparation shown



CABIN & COCKPIT ENTRY HARDWARE



Striker



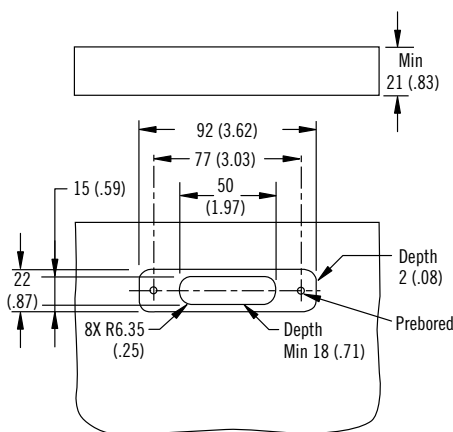
Striker Part number

MG-03-300-24

Panel Preparation

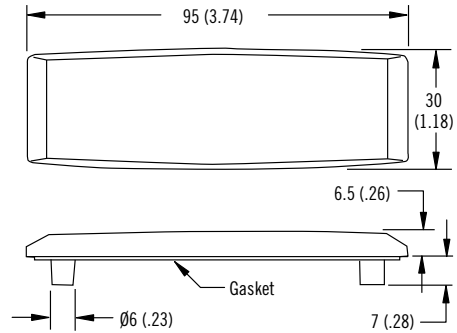
Minimum panel thickness without recess 19 (.75). Angle range between hatch and panel -7° to $+7^\circ$. No mounting hardware supplied.

Flush mount panel preparation shown



Striker Hood

The Striker Hood is designed for thin panels, or where the panel may not be suitable to directly attach the striker. Note: A striker must be used with the Striker Hood.



Striker Hood Part number

MG-03-330-24

Panel Preparation

