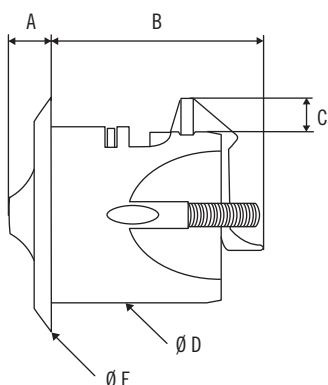


# ACCESS HARDWARE

## MP Novibra Push-to-Close Latch · Medium · Plastic · Turn to Open



	Imperial		Metric
	Nominal	Decimal	
A	15/32	.472	12
B	1 3/4	1.752	44.5
C	13/32	.406	10
D	1 1/2	1.5	38
E	1 3/4	1.76	44.7



- Fast, easy installation
- Weatherproof face
- Long bolt travel with an adjustable striker plate

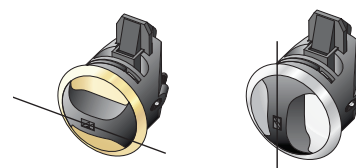
### Panel Thickness Range:

3 - 22mm (1/8" - 7/8")

The Novibra is designed for hatches, doors, drawers, cockpit lockers, and similar type applications. The Novibra helps eliminate noise in the hatch, doors or drawers caused by engine vibration.

### Available Options:

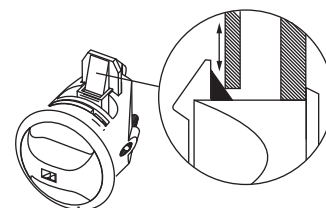
Colors: Choose from black, white, chrome, diamond brass, and satin, in any combination of Cup and Handle. Additional colors and custom color-matching available on request. Contact Southco for details.



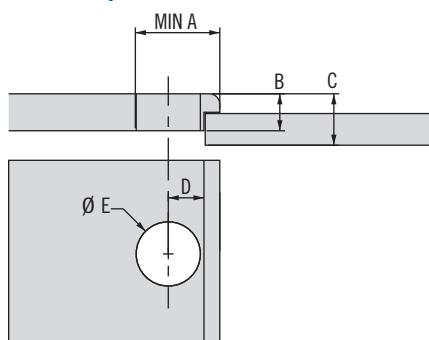
Type 1  
(For drawers)

Type 2  
(For doors)

### Non vibration feature

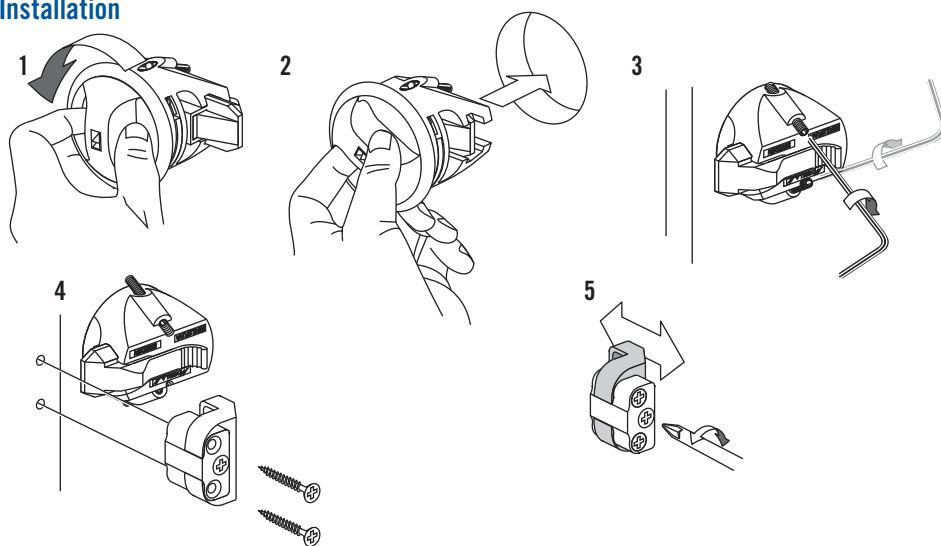


### Panel Preparation



	Imperial		Metric
	Nominal	Decimal	
A	2	2	50
B	min. 1/8 max. 7/8	.118 .875	3 22.5
C	min. 7/8 max. 1 5/16	.875 1.313	23 33
D	1 7/32	1.219	31
E	1 33/64	1.516	38.5

### Installation



### Part Number Selection

**T** Type  
 1 For Drawers  
 2 For Doors

**C** Cup  
 1 Chrome  
 2 Satin  
 3 Brown  
 4 Diamond Brass  
 5 Black  
 7 White

**B** Body  
 5 Black  
 7 White

**H** Handle  
 1 Chrome  
 2 Satin  
 3 Brown  
 4 Diamond Brass  
 5 Black  
 7 White

**MP - 0 T - 103 - B C H**

