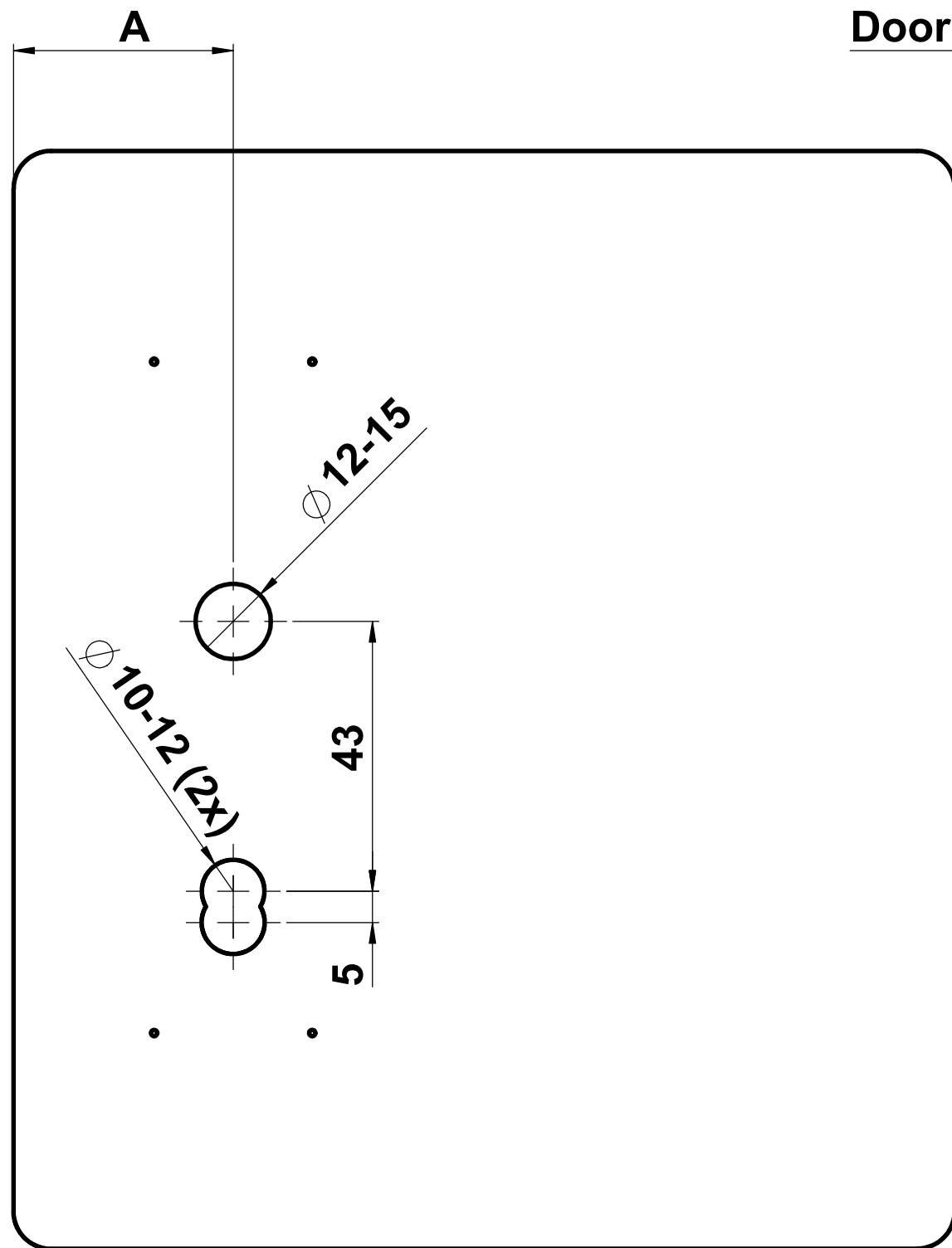
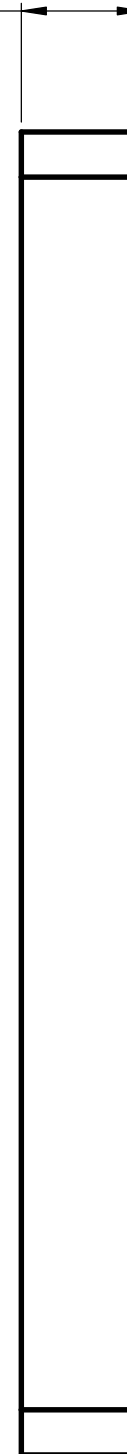


ORIGINAL - Swing Door Lock
Product Dimensions



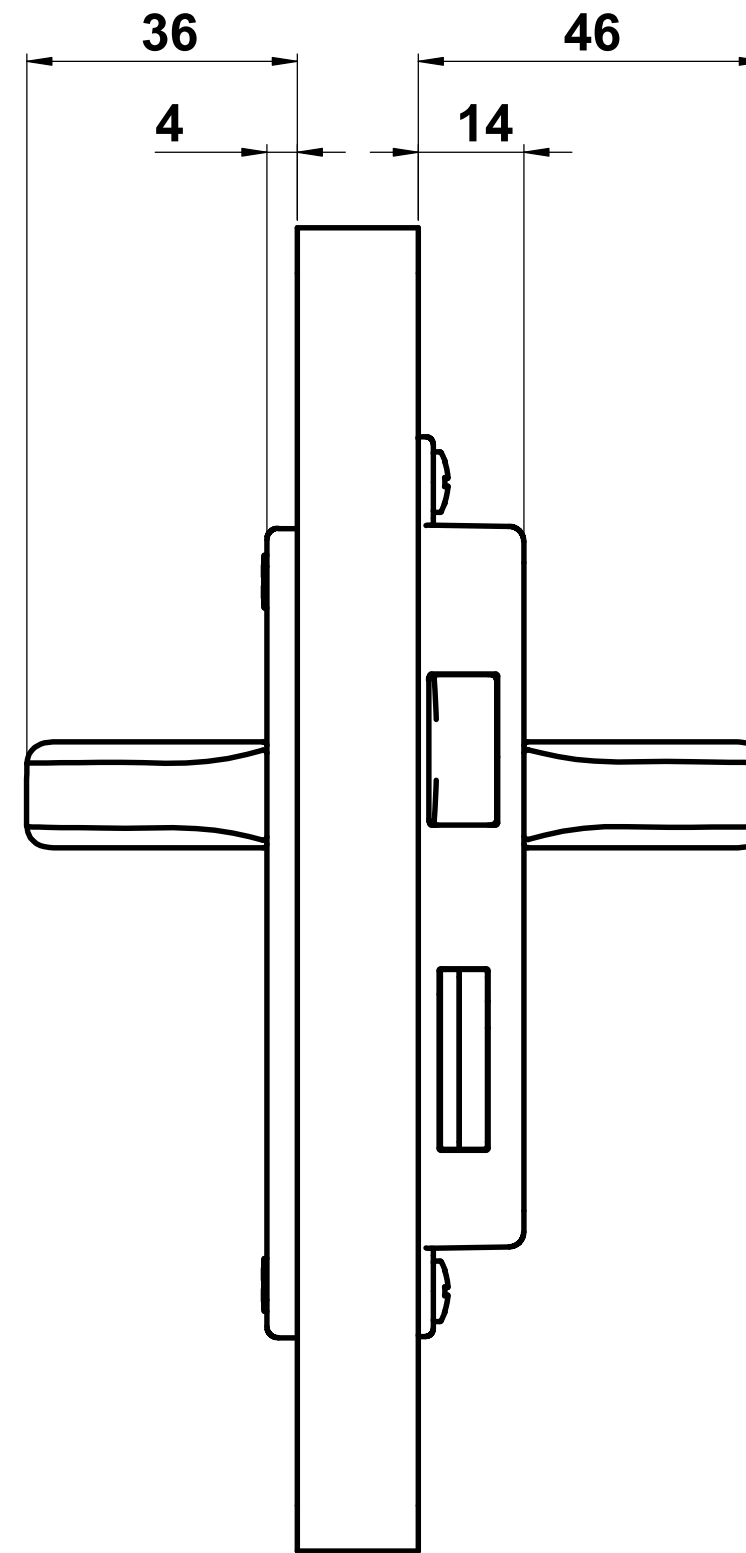
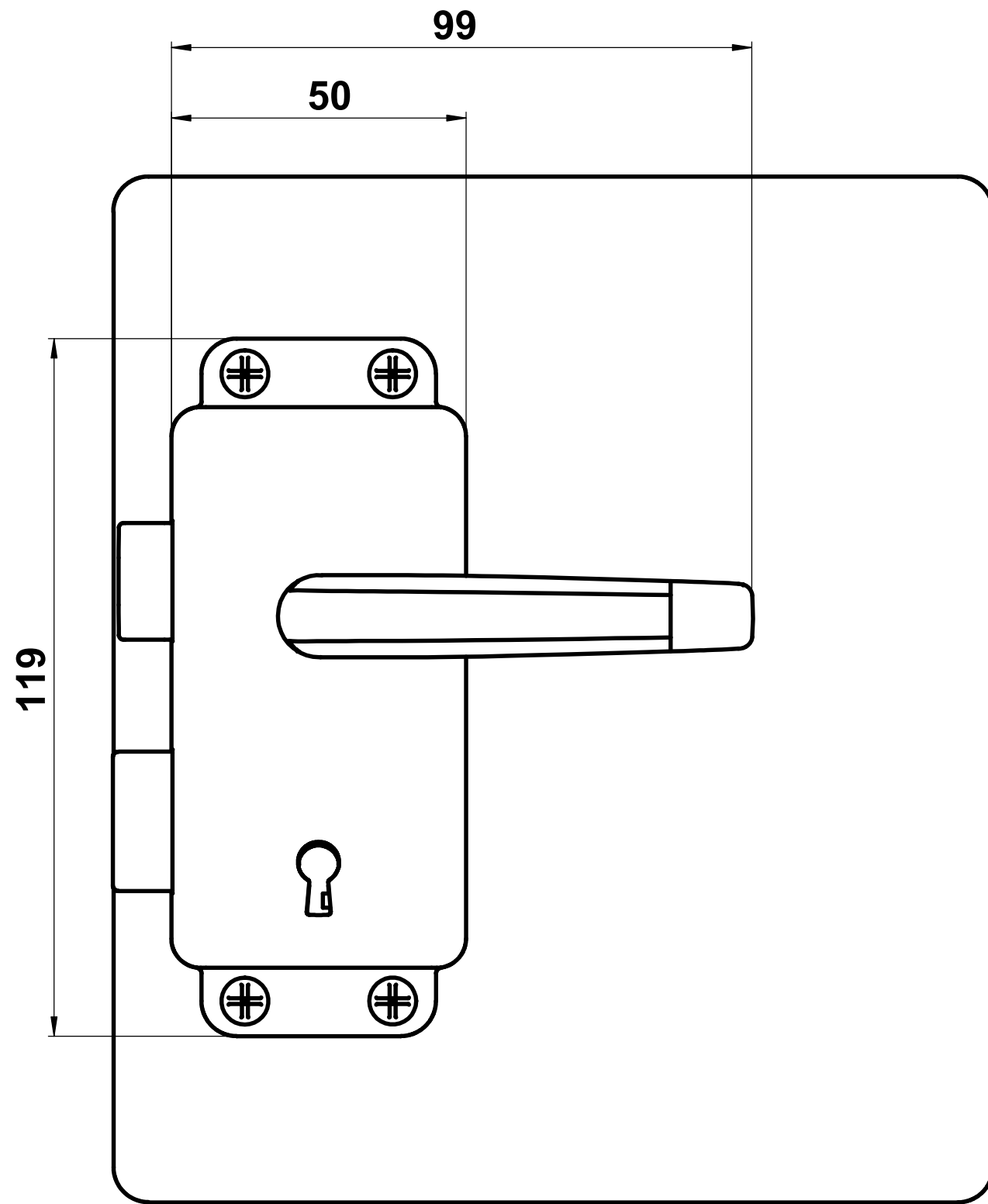
Door thickness range: 10 - 28mm



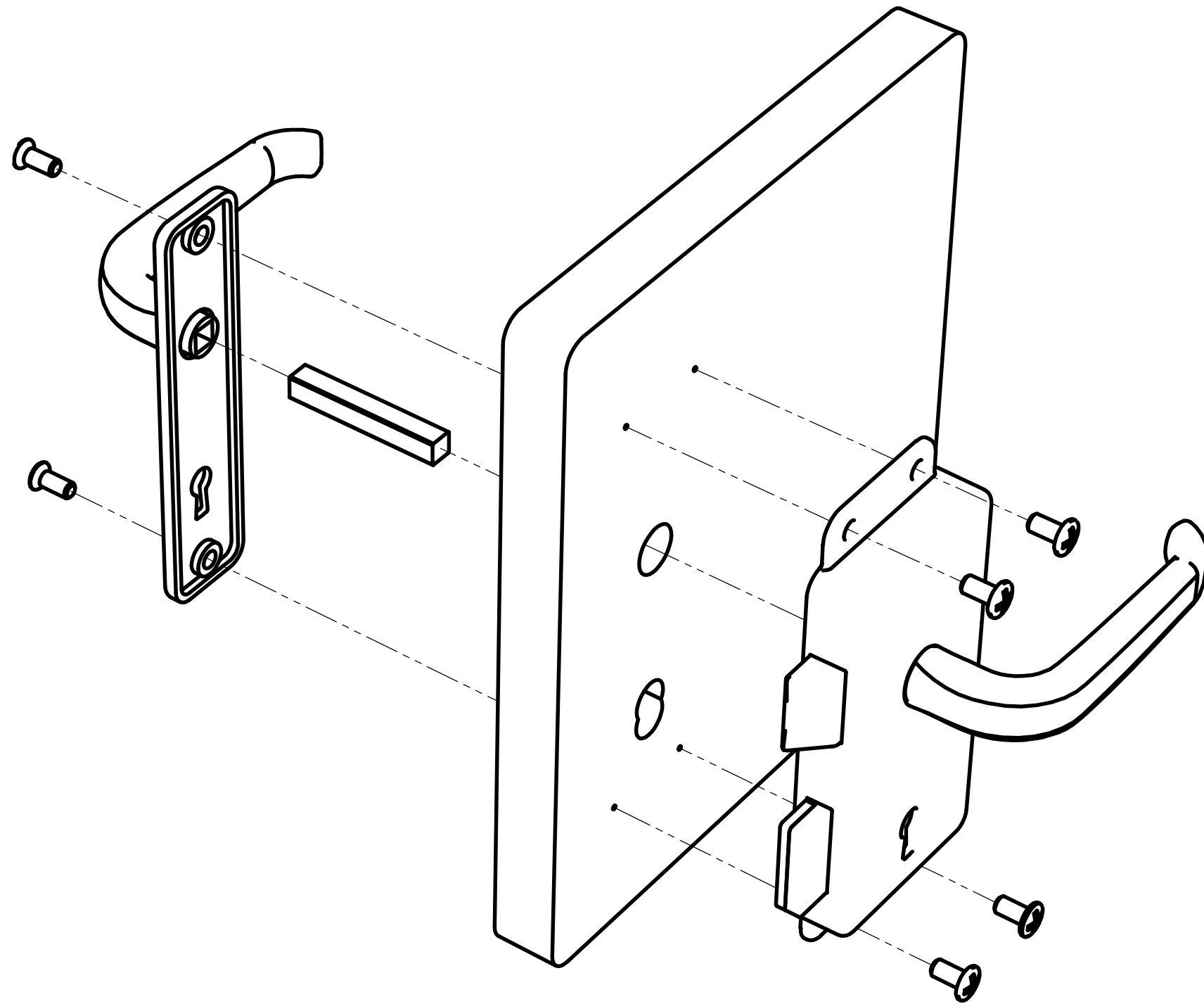
Back set "A": The backset dimension is driven by the specific door/frame arrangement and needs to be measured individually.

ORIGINAL - Swing Door Lock

Panel Preparations



ORIGINAL - Swing Door Lock
Overall Dimensions



ORIGINAL - Swing Door Lock
Installation