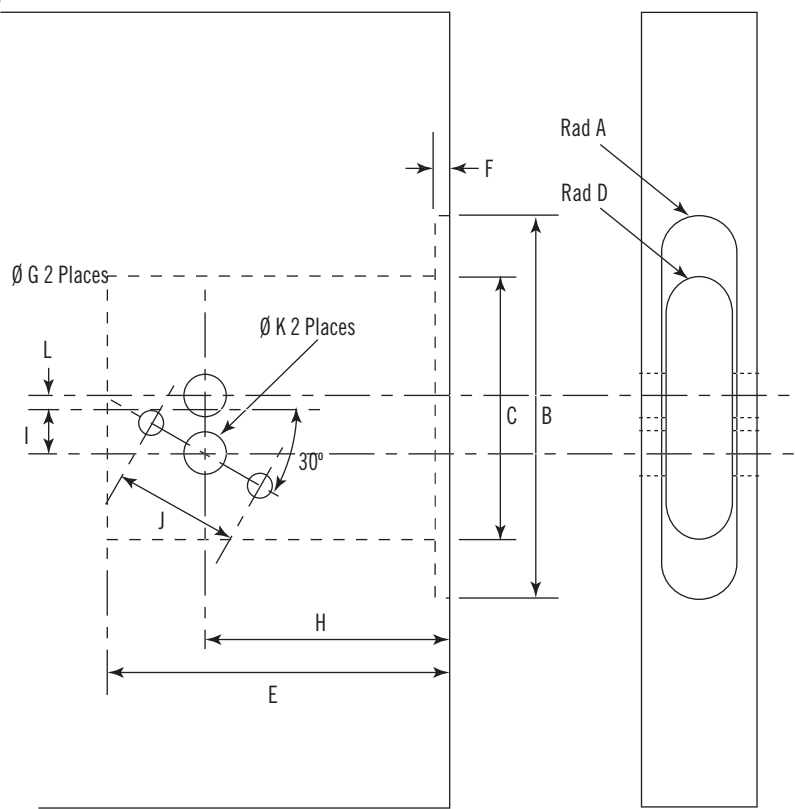


# CABIN & COCKPIT ENTRY HARDWARE

## MA McCoy Swing Door Latch

### Panel Preparation



	Imperial		Metric
	Nominal	Decimal	
A	5/16	.318	8.1
B	3 29/32	3.906	99
C	2 31/64	2.480	63
D	1/4	.250	6.5
E	2 3/8	2.375	60
F	5/64	.079	2
G	1/2	.50	13
H	1 25/32	1.772	45
I	1/2	.500	12.5
J	1 1/4	1.26	31.9
K	1/4	.25	6.5

**A**

### Installation

