

# CABIN & COCKPIT ENTRY HARDWARE

## MA McCoy Swing Door Latch

A



The McCoy is a mortise lock designed for applications where elegant styling and a durable lockset are desired. It offers an exceptionally tough mechanism and a variety of sophisticated design features:

- 100% Marine-grade materials to prevent corrosion
- Double springs keep handle from sagging
- Emergency lock override

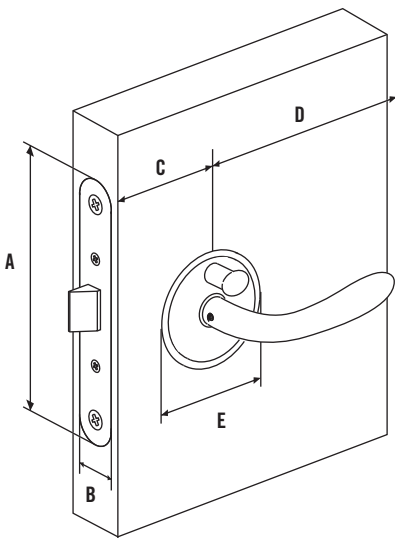
**Available Options:**

Finish: Chrome, Diamond Brass, Chrome with Diamond Brass accent, and Satin.  
Please contact Southco Marine for other finish options.  
Function: Available with or without privacy lock.

**Appearance:**

Combine handles, escutcheon plates, and accent plates to customise the latch for your application.  
For unique styling combine the McCoy with a wide range of stylish Olivari handles. See page 9

**Dimensions**



	Imperial		Metric
	Nominal	Decimal	
A	3 29/32	3.906	99
B	41/64	.640	16
C	1 23/32	1.713	43.5
D	3 15/16	3.937	100
E	2 3/16	2.165	55

**Part Number Selection** (For Strikers please see page 23)

**FF** Finish ←

- 10 Chrome
- 12 Chrome + Satin Accent
- 14 Chrome + Brass Accent
- 20 Satin
- 21 Satin + Chrome Accent
- 40 Diamond Brass

**MA - BB - D L T - HH - FF**

**BB** Latch Mechanism ←

- 01 Standard Springbolt
- 08 Double Springbolt

**D** Directional ←

- 2 Right Out
- 3 Right In
- 4 Left Out
- 5 Left In
- 6 Right Out - Left In
- 7 Left Out - Right In

**HH** Handle →

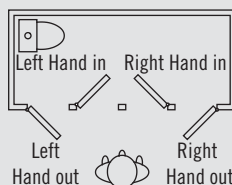
- 01 Nova
- 02 Portofino

**T** Door Thickness →

- 0 22-30mm (7/8" - 1 3/16")
- 1 28-37mm (1 1/8" - 1 1/2")

**L** Locking Option →

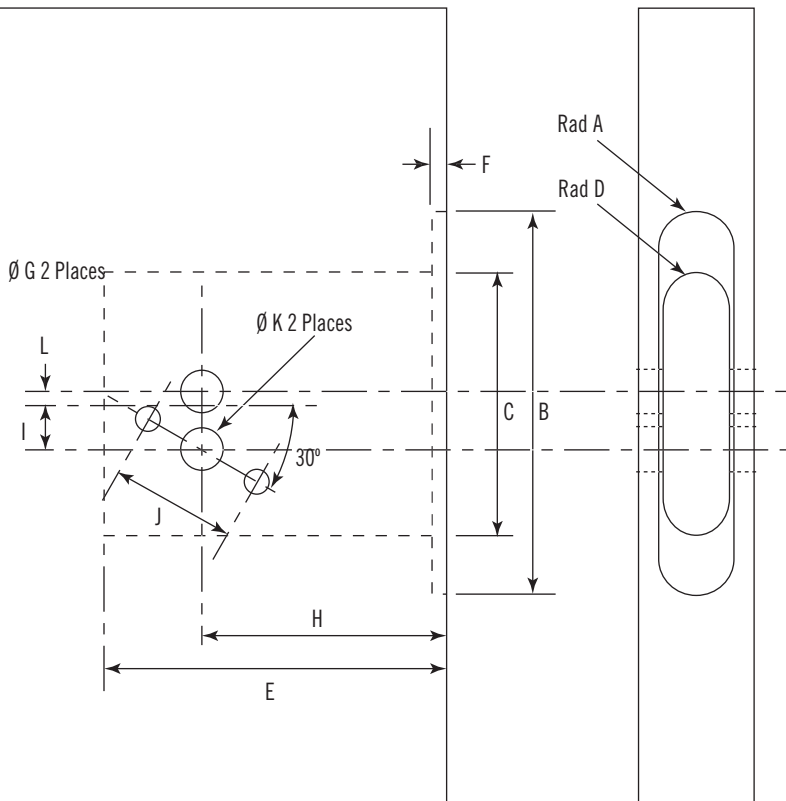
- 0 Non Locking **D** = 6 or 7
- 2 Privacy **D** = 2 to 5



# CABIN & COCKPIT ENTRY HARDWARE

## MA McCoy Swing Door Latch

### Panel Preparation



	Imperial		Metric
	Nominal	Decimal	
A	5/16	.318	8.1
B	3 29/32	3.906	99
C	2 31/64	2.480	63
D	1/4	.250	6.5
E	2 3/8	2.375	60
F	5/64	.079	2
G	1/2	.50	13
H	1 25/32	1.772	45
I	1/2	.500	12.5
J	1 1/4	1.26	31.9
K	1/4	.25	6.5

A

### Installation

