

CABIN & COCKPIT ENTRY HARDWARE

MA McCoy Swing Door Latch

A



The McCoy is a mortise lock designed for applications where elegant styling and a durable lockset are desired. It offers an exceptionally tough mechanism and a variety of sophisticated design features:

- 100% Marine-grade materials to prevent corrosion
- Double springs keep handle from sagging
- Emergency lock override

Available Options:

Finish: Chrome, Diamond Brass, Chrome with Diamond Brass accent, and Satin.

Please contact Southco Marine for other finish options.

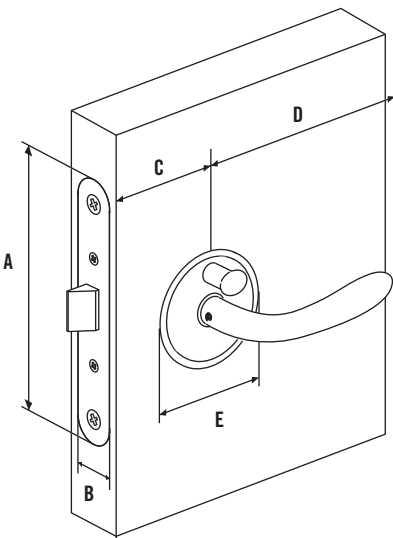
Function: Available with or without privacy lock.

Appearance:

Combine handles, escutcheon plates, and accent plates to customise the latch for your application.

For unique styling combine the McCoy with a wide range of stylish Olivari handles. See page 9

Dimensions



	Imperial		Metric
	Nominal	Decimal	
A	3 29/32	3.906	99
B	41/64	.640	16
C	1 23/32	1.713	43.5
D	3 15/16	3.937	100
E	2 3/16	2.165	55

Part Number Selection (For Strikers please see page 23)

FF Finish

- 10 Chrome
- 12 Chrome + Satin Accent
- 14 Chrome + Brass Accent
- 20 Satin
- 21 Satin + Chrome Accent
- 40 Diamond Brass

BB Latch Mechanism

- 01 Standard Springbolt
- 08 Double Springbolt

D Directional

- 2 Right Out
- 3 Right In
- 4 Left Out
- 5 Left In
- 6 Right Out - Left In
- 7 Left Out - Right In

HH Handle

- 01 Nova
- 02 Portofino

T Door Thickness

- 0 22-30mm (7/8" - 1 3/16")
- 1 28-37mm (1 1/8" - 1 1/2")

L Locking Option

- 0 Non Locking **D** = 6 or 7
- 2 Privacy **D** = 2 to 5

MA - BB - D L T - HH - FF

The diagram shows four door configurations: 'Left Hand in', 'Right Hand in', 'Left Hand out', and 'Right Hand out'. Each configuration shows the handle and latch mechanism relative to the door edge.

